

# PDFBraindumps



Latest Pdf Braindumps	Top Certifications	Top Vendors
▶ LRP-614	▶ ISEB Certification	▶ ISEB
▶ BCABA	▶ OCE	▶ ASTQB
▶ JN0-740	▶ NVIDIA Certifications	▶ Aruba
▶ 250-405	▶ Network+	▶ Data Center Universit
▶ DS-200	▶ IBM Certified Integrat	▶ HRCI
▶ SDM_2002001040	▶ CCDH	▶ CIW
▶ ST0-250	▶ IBM Certified Advanc	▶ Patchlink
▶ H12-221	▶ eserver Certified Spe	▶ International Consorti
▶ M2180-716	▶ SAP-Certifications	▶ Acme-Packet
	▶ Network Appliance N	
	▶ HCNP	▶ Fortinet
	▶ IFPUG Certifications	▶ Ericsson
	▶ dotMobi Certification	▶ Liferay
	▶ SCMA	▶ Novell
	▶ MCSD	▶ Huawei
	▶ NCLP	▶ RSA
	▶ XMLMaster Certificat	▶ MYSQL
	▶ CS5	▶ ISM
	▶ CHA	▶ CheckPoint

<http://www.pdfbraindumps.com>

Latest pdf braindumps provider, high pass rate

**Exam** : **1Y0-403**

**Title** : Citrix Virtual Apps and  
Desktops 7 Assessment,  
Design and Advanced  
Configurations

**Vendor** : Citrix

**Version** : DEMO

**NO.1** Scenario: A Citrix Architect is designing a XenDesktop environment. The Engineer group uses graphical applications which require the use of Intel Iris Pro GPUs.

Which two hypervisors can the architect select for this environment? (Choose two.)

- A. XenServer 6.5
- B. Microsoft Hyper-V Server 2012 R2
- C. XenServer 7.0
- D. VMware vSphere 5.5
- E. VMware vSphere 6.0

**Answer:** AC

Explanation:

Intel Iris Pro GPU is a Hardware Virtualized GPU (Intel) and only supported by XenServer. VMware supports the Hardware Virtualized GPU (NVIDIA) and Microsoft Hyper-V none at all.

**NO.2** Scenario: A Citrix Architect is designing a new Citrix Virtual Apps and Desktops environment. The architect has identified the Resource Layer requirements shown in the exhibit.

Click the Exhibit button to view the requirements.

User Group	Persistent User Settings Required?	Assigned FlexCast Model	Access to Profile Folders Required?	Additional Requirements
Finance	No	Published Apps	Yes	Application-specific data should be preconfigured within the profile.  For security reasons, data and the profile should be deleted when the published application is closed.
Customer Service	No	Published Desktop (Server OS)	No	None
Executives	Yes	Remote PC Access	Yes, the following folders should be available: <ul style="list-style-type: none"> <li>• Contacts</li> <li>• Desktop</li> <li>• Downloads</li> <li>• Favorites</li> <li>• My Documents</li> </ul>	The ability to use resources locally while offline is required.
Graphic Designers	Yes	Hosted VDI (Static)	No	None

Additionally, management identified 2 general Resource Layer requirements:

- The time required to configure the solution should be minimized.
- Different user groups can use different profile solutions.

Which profile type should the architect consider for the Finance Group?

- A. Hybrid
- B. Mandatory
- C. Roaming
- D. Local

**Answer:** B

**NO.3** A Citrix Architect is designing the Access Layer for a company that supports active-active mode for Citrix Gateway, as well as an on-premises, two-factor authentication solution.

Which feature supports this requirement?

- A. Citrix ADC Standard edition or higher
- B. Citrix ADC Cluster
- C. High-availability pair
- D. Citrix Gateway Service

**Answer:** A

**NO.4** Scenario: A Citrix Architect needs to design a new XenApp and XenDesktop environment. The customer previously installed all applications locally on managed laptops and desktops but is willing to evaluate other application delivery methods as part of the new deployment. The environment will be standardized on Windows 10 and Windows Server 2016 for the Virtual Delivery Agent (VDA) machines.

As part of an application analysis performed earlier in the project, the information in the Exhibit was collected regarding one of the required applications.

Click the Exhibit button to view the information.

Category	Detail
Application Name	Workspace CRM Pro
Description	Customer Relationship Management application - Users can view and edit information about current customers and sales leads.
Usage	This application will be used by the sales department.
OS Compatibility	The application is compatible with the target operating systems.
Special Considerations	The sales team must access the application from laptops, tablets, and mobile devices.

Additionally, the customer has the following objectives:

- Minimize the amount of additional infrastructure components.
- Minimize the server hardware required.

How should the architect install the application?

- A. On an Application Layer using Citrix App Layering, be included in a layered image, and accessed through a virtual desktop session
- B. Stream it to a VDA machine using Microsoft App-V and accessed through a virtual desktop session
- C. Directly on a Server OS VDA machine and accessed from the endpoint as a published application
- D. Directly on a VDA machine image and accessed through a virtual desktop session
- E. Directly on endpoint devices and included in a virtual desktop session using the Local App Access feature

**Answer:** C

Explanation:

Virtual Apps will provide more users per server so less servers while Virtual Desktops will be 1 user per VD so more servers to sustain the same amount of apps instance.

**NO.5** Scenario: A Citrix Architect needs to design a new XenApp and XenDesktop environment.

The architect has identified printing requirements for certain user groups and locations, as shown in the Exhibit.

Click the Exhibit button to view the requirements.

User Groups	Endpoint	Location	Receiver Type	Printer Types	Driver Installed on VDA	Print Features Needed
Accountants	Corporate-owned	Corp HQ Home	Receiver 4.10	Accountant Network Printer	Yes	Special ERP Print
Executives	Corporate-owned	Corp HQ	Receiver 4.10	All Client Printers	No	Office Print Duplex
Graphic Designers	Mac BYOD	Home	MAC Receiver 4.10	Design Network Printer	No	High-Resolution Print
Customer Service	Corporate-owned	India Branch Office	Receiver 4.10	Main Client Printer	No	Basic A4 Single-Side

Currently, no printer settings or policies have been configured, and as such, the environment is using default settings. Universal Print Server will NOT be used in this design.

Which two settings should the architect configure to allow the Executives group to achieve the desired print behavior and to ensure their print jobs are optimally routed? (Choose two.)

- A. Set Auto-create Client Printers policy to auto-create local printers only
- B. Enable Auto-create PDF Universal Printer policy
- C. Set Direct connections to print servers policy to Enabled
- D. Set Direct connections to print servers policy to Disabled
- E. Configure Session Printers policy
- F. Configure Default Printers policy
- G. Set Auto-create Client Printers policy to auto-create all client printers

**Answer:** CG

Explanation:

Direct connections to print servers

This setting enables or disables direct connections from the virtual desktop or server hosting applications to a print server for client printers hosted on an accessible network share.

By default, direct connections are enabled.

Enable direct connections if the network print server is not across a WAN from the virtual desktop or server hosting applications. Direct communication results in faster printing if the network print server and the virtual desktop or server hosting applications are on the same LAN.

Disable direct connections if the network is across a WAN or has substantial latency or limited bandwidth.

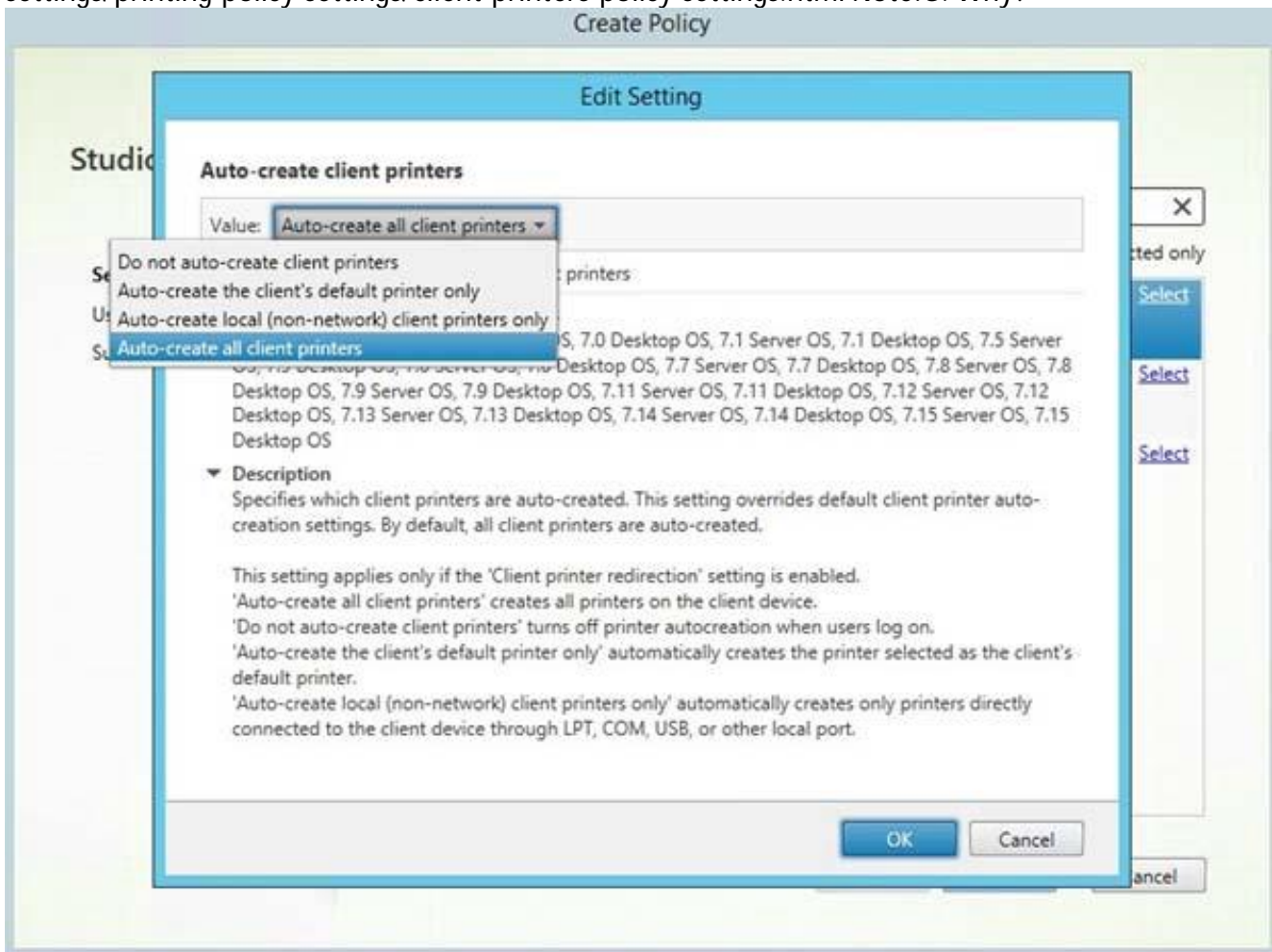
Print jobs are routed through the user device where they are redirected to the network print server.

Data sent to the user device is compressed, so less bandwidth is consumed as the data travels across the WAN.

If two network printers have the same name, the printer on the same network as the user device is

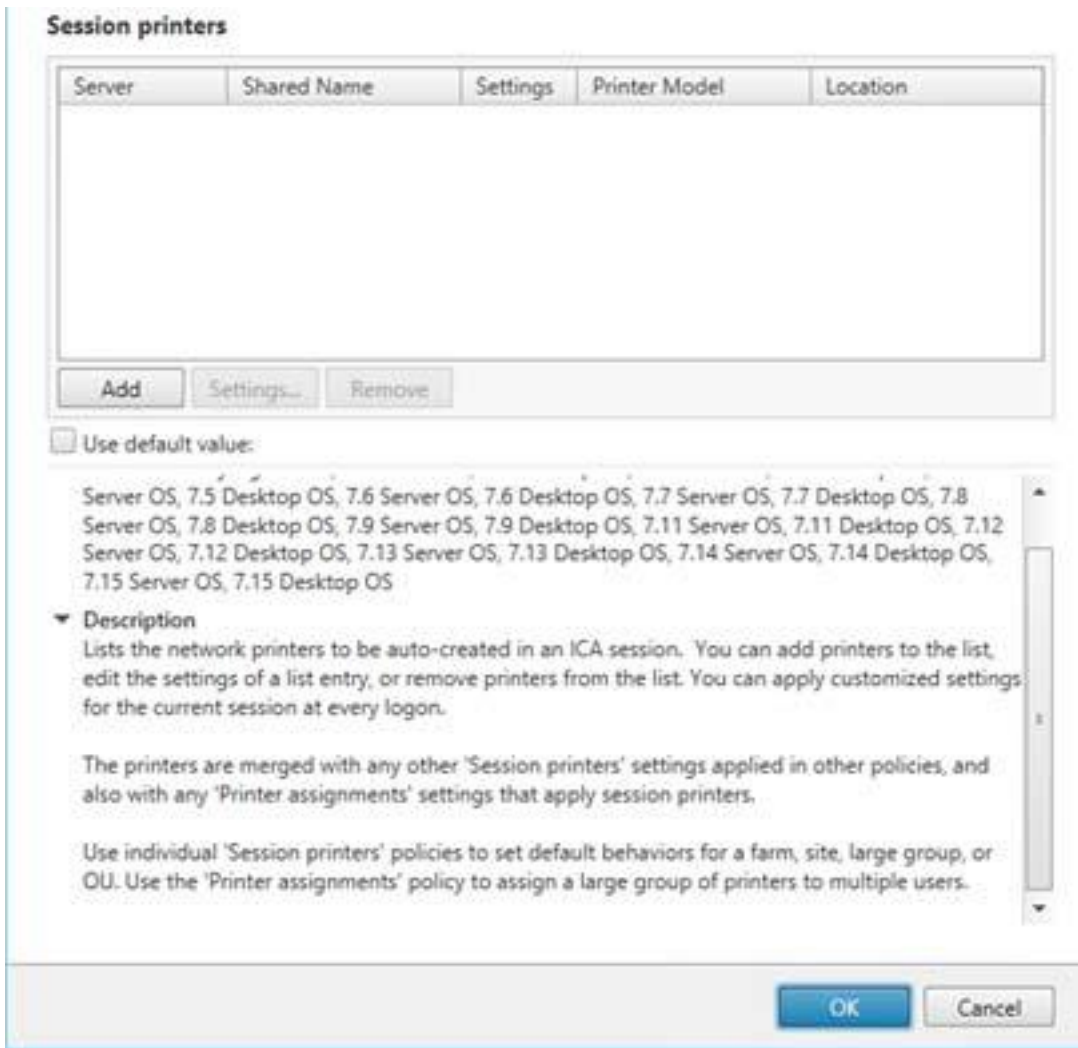
used.

<https://docs.citrix.com/en-us/xenapp-and-xendesktop/7-15-ltsr/policies/reference/ica-policy-settings/printing-policy-settings/client-printers-policy-settings.html> Note:G. Why?



A: Set Auto-create Client Printers policy to auto-create local printers only. No, because we want all client printers which will include local (non-network) and network printers.

E: Configure Session Printers policy - No, because we will have to list all the network printers to be auto- created.



**NO.6** Scenario: A Citrix Architect is designing a new Citrix Virtual Apps and Desktops environment. As part of the graphics-mode design considerations, the architect determined that one User Group requires pixel- perfect images at all times.

Which graphics mode should the architect recommend be configured for this specific group?

- A. Visual quality = Always Lossless
- B. Optimize for 3D graphics workload = Enabled
- C. Optimize for 3D graphics workload = Disabled
- D. Visual quality = Build to Lossless

**Answer:** B

**NO.7** Scenario: A Citrix Architect is designing a new Citrix Virtual Apps and Desktops environment for a company with 2 branch offices connected over a WAN link. Each location will maintain its own Citrix Site and be configured for disaster recovery (DR) to allow users to failover if 1 Site has an outage. Management wants to implement a strong profile solution to manage user profiles. Each user maintains a profile that consists of user documents, application settings, and other personalization settings that must be available to them at all times.

Which step should the architect perform to ensure that profile requirements are met?

- A. Implement Citrix Profile Management for all users with Windows Folder Redirection configured, and Microsoft Distributed File System Replication (DFS) active-active profile replication configured

over the WAN connection.

**B.** Implement Citrix Profile Management for all users with Microsoft Distributed File System Replication (DFSR) active-passive profile replication configured over the WAN connection.

**C.** Implement Citrix Profile Management for all users with Microsoft Distributed File System Replication (DFSR) active-active profile replication configured over the WAN connection.

**D.** Implement Citrix Profile Management for all users with Active write back enabled and Microsoft Distributed File System Replication (DFSR) active-active profile replication configured over the WAN connection.

**Answer:** B

**NO.8 Scenario:** A Citrix Architect needs to design a new XenApp and XenDesktop environment. The architect has identified the User Layer requirements, as shown in the Exhibit (the table to the right). Additionally, management at the organization has identified the following general Access Layer requirements:

- A multi-factor authentication method is required for any connections to the XenApp and XenDesktop environment originating from outside the corporate network.
- The external connections must be authenticated by a NetScaler Gateway virtual server located in a DMZ network.
- The internal connection traffic should NOT leave the internal corporate network.

Which authentication method should the architect configure for Sales Associates connecting from a hotel room during a sales trip?

User Group	User Devices	Connection Point	Security Requirements
Accountants	Corporate-owned desktops, laptops	Internal and External	Should NOT be permitted to access payroll and e-banking apps outside the corporate network
Sales Associates	BYOD smartphones, tablets	Internal and External	Have access to customer data and pricing information
Customers	Public kiosks	Internal	Use kiosks to access a published app hosted by a group of servers in an isolated network segment Should NOT have knowledge of Workspace Services credentials
Contractors	BYOD desktops, laptops	External	Should NOT have knowledge of Workspace Services credentials and must supply their own authentication provider

**A.** Federated Authentication Service and endpoint analysis

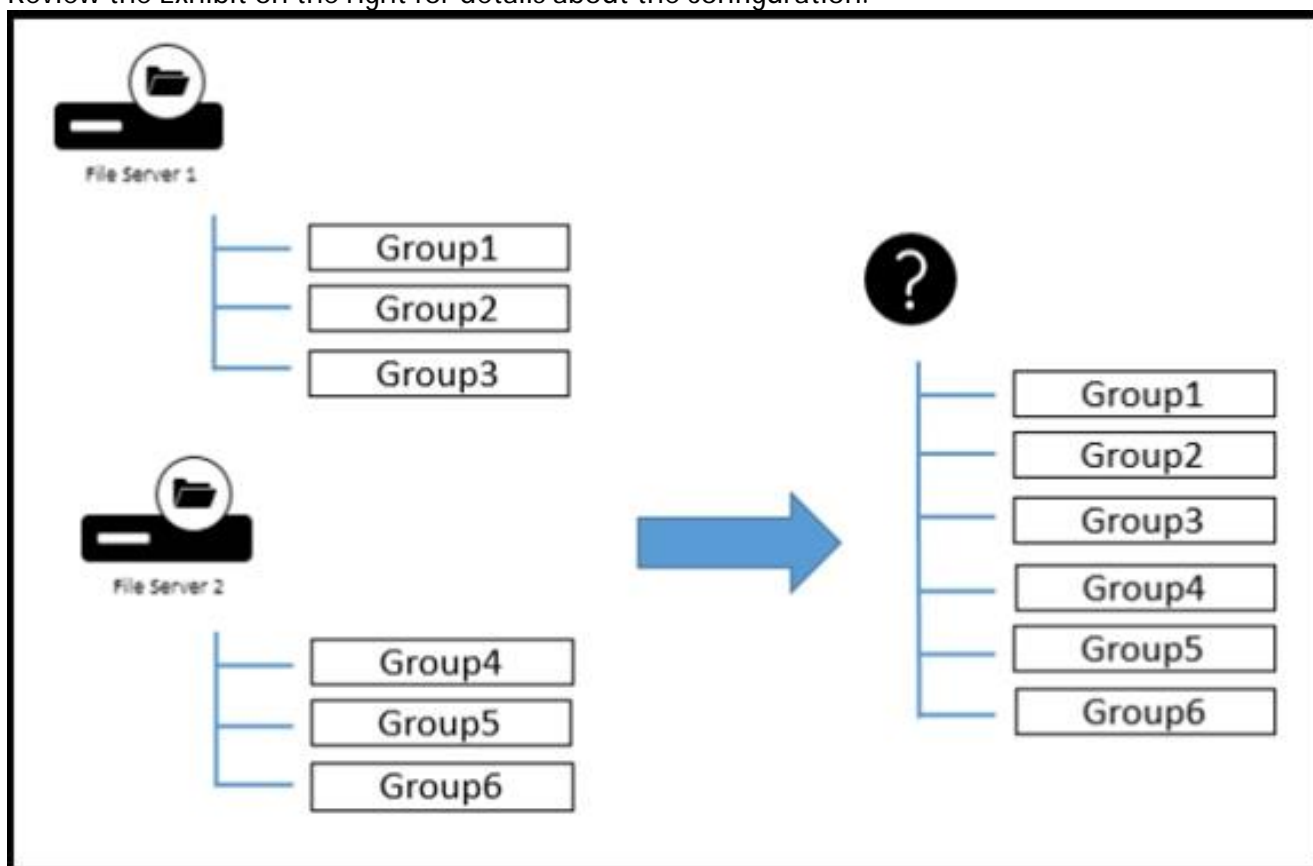
**B.** LDAP and RADIUS

C. Federated Authentication Service and SAML

D. LDAP and Smart Card

**Answer:** B

**NO.9** Scenario: A Citrix Architect is configuring a Citrix Profile Management solution for a customer. The customer has two file servers, each hosting the profile folders for three different user groups. Review the Exhibit on the right for details about the configuration.



The customer wants to use: \\Workspace\Profiles\#l# as the profile location. The architect should configure and to achieve the desired result.

(Choose the correct option to complete the sentence.)

- A. DFS-Replication; user variables
- B. DFS-Replication; Active Directory attributes
- C. Load balancing; user variables
- D. DFS namespace; user variables
- E. DFS namespace; Active Directory attributes
- F. Load balancing; Active Directory attributes

**Answer:** E

**NO.10** Scenario: A large retail environment includes a StoreFront server group with 2 servers, each with 2 vCPUs and 4 GB of RAM. The server group handles about 25,000 user connections per hour, with the majority of users accessing the environment using the Citrix Workspace app. Workspace Control has been disabled for the environment.

A Citrix Architect learns that the company will soon merge with another retail chain. The Citrix Virtual Apps and Desktops environment must double its capacity, and the StoreFront server group is

expected to handle about 40,000 user connections per hour.

What should the architect do to meet the expected load while maintaining high availability with optimal resource allocation for the StoreFront component?

- A. Allocate an additional 2 vCPUs to each existing StoreFront server.
- B. Enable Workspace Control for all StoreFront stores.
- C. Allocate an additional 2 GB of RAM to each existing StoreFront server.
- D. Train users to begin accessing the environment using Citrix Workspace app for Web site.
- E. Use the least connection method for load-balancing on Citrix ADC.

**Answer:** A

Explanation:

<https://docs.citrix.com/en-us/tech-zone/design/reference-architectures/virtual-apps-and-desktops-service.html>

**NO.11** Scenario: Currently, the user interface for a Citrix Apps and Desktops environment is presented in English, but a planned on-premises expansion in Poland will support 100 new users with a requirement to use all Polish interfaces.

Two constraints were identified by a Citrix Architect:

- Network bandwidth is low and unstable.
- Network latency is higher than 300 ms to the existing Site.

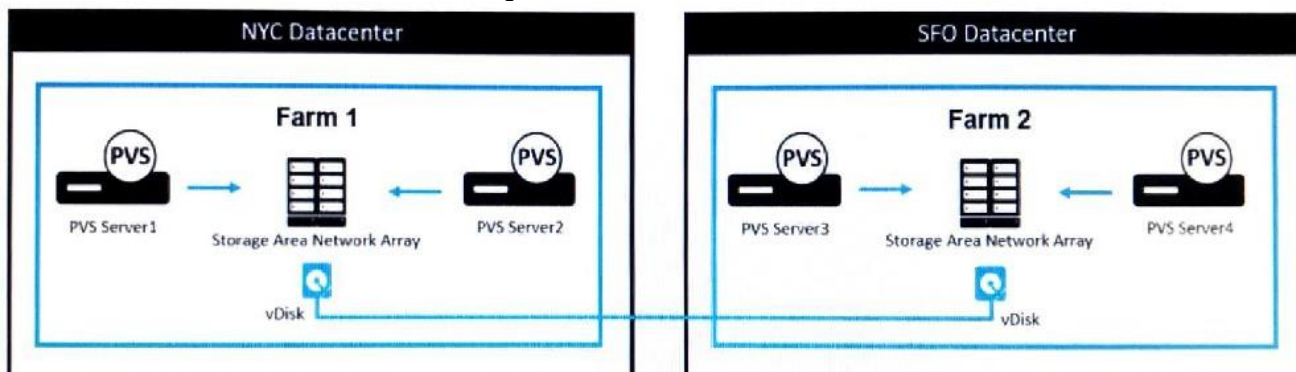
How should the architect deploy Citrix Virtual Apps and Desktops for these users?

- A. Install a StoreFront server in Poland.
- B. Implement Citrix Cloud Gateway in Europe.
- C. Add a Satellite Zone to the existing Site.
- D. Create a new Site in Poland.

**Answer:** A

**NO.12** Scenario: A Citrix Architect needs to design a multi-datacenter XenApp and XenDesktop environment that will use Provisioning Services (PVS) to manage Virtual Delivery Agent (VDA) machine images. Each datacenter will have a separate Provisioning Services farm. During the design discussions, the architect creates a diagram to depict the way vDisk files will be replicated between PVS farms, based on the available storage for the vDisk Stores.

Click the Exhibit button to view the diagram.



Overall, the customer has identified the following objectives for the image replication process: Minimize the administrative time required to replicate images between farms Must be usable by storage administrators without PVS farm administrative permissions Utilize pre-existing infrastructure and processes where possible Which method should the architect use to replicate the

vDisk files between datacenters?

- A. Scheduled robocopy commands
- B. vDisk Replicator Tool
- C. Microsoft DFS-R
- D. Manual copy
- E. SAN replication

**Answer:** A

Explanation:

The vDisk Replicator Tool is not designed to replicate vDisks within a Site, and does not support vDisk stores that reside on shared storage. Administrators must have local administrator rights on each PVS server, as well as PVS administrator rights on both the "source" and "destination" Farms.

- **Automated** – For large environments, automated replication is faster than the manual method due to the number of vDisks and vDisk Stores required. Some automated tools, such as [Microsoft DFS-R](#), support bandwidth throttling and Cross File Remote Differential Compression (CF-RDC), which use heuristics to determine whether destination files are similar to the file being replicated. If so, CF-RDC will use blocks from these files to minimize the amount of data transferred over the network. The risk of automated replication is that administrator do not typically monitor replication events in real-time and do not respond quickly when errors occur, unless the automation tool has an alerting feature. Some tools can be configured to automatically restart the copy process in the event of a failure. For example, [Robocopy](#) supports "resume copying" in the event that the network connection is interrupted.

**NO.13** Scenario: A Citrix Architect is implementing a new XenApp and XenDesktop environment.

The customer has stated the following requirements:

■ All users must be able to aggregate resources from all Sites.

■ Both Sites should be treated as one equivalent farm set.

■ User connections should be directed to the New York Site with failover to San Francisco.

Click the Exhibit button to view the StoreFront configurations.

Exhibit

**Aggregate Resources**

StoreFront allows you to aggregate the resources from multiple deployments. Select the controllers that need to be aggregated.

	Controller	Type
<b>Aggregated</b>		
<input checked="" type="checkbox"/>	NewYork	XenDesktop (7.0 or higher), XenApp (7.5 or higher)
<input type="checkbox"/>	SanFrancisco	XenDesktop (7.0 or higher), XenApp (7.5 or higher)
<b>Not Aggregated</b>		
None		

Aggregate    Do not aggregate

**Aggregated Controller Settings**  
These settings apply to all controllers marked as Aggregated

Controllers publish identical resources

Load balance resources across controllers

OK    Cancel

Based on the configurations, requirement 1 is \_\_\_\_\_, requirement 2 is \_\_\_\_\_, and requirement 3 is \_\_\_\_\_. (Choose the correct option to complete the sentence.)

- A. met; met; NOT met
- B. NOT met; NOT met; NOT met
- C. NOT met; met; NOT met
- D. met; NOT met; NOT met
- E. met; NOT met; met
- F. met; met; met
- G. NOT met; met; met

**Answer:** D

Explanation:

<https://www.citrix.com/blogs/2016/09/07/storefront-multi-site-settings-part-2/>

1. All users must be able to aggregate resources from all Sites.

Controller	Type
<b>Aggregated</b>	
<input checked="" type="checkbox"/> NewYork	XenDesktop (7.0 or higher), XenApp (7.5 or higher)
<input type="checkbox"/> SanFrancisco	XenDesktop (7.0 or higher), XenApp (7.5 or higher)
<b>Not Aggregated</b>	
None	

2. Both Sites should be treated as one equivalent farm set. --- NOT MET

### Aggregated Controller Settings

These settings apply to all controllers marked as Aggregated

- Controllers publish identical resources
- Load balance resources across controllers

Should be

Checking only the "identical resources" option results in an equivalent farm set with identical sites configured for failover order:

### Aggregated Controller Settings

These settings apply to all controllers marked as Aggregated

- Controllers publish identical resources
- Load balance resources across controllers

3. User connections should be directed to the New York Site with failover to San Francisco. - NOT MET

And lastly, leaving both settings unchecked results in an aggregation group with two separate equivalent farm sets:

### Aggregated Controller Settings

These settings apply to all controllers marked as Aggregated

- Controllers publish identical resources
- Load balance resources across controllers

**NO.14** Scenario: A Citrix Architect is designing a new Citrix Virtual Apps and Desktops environment. The table in the exhibit lists details about the requirements of the current user groups and their Virtual Delivery Agent (VDA) machine workloads. Click the Exhibit button to view the table.

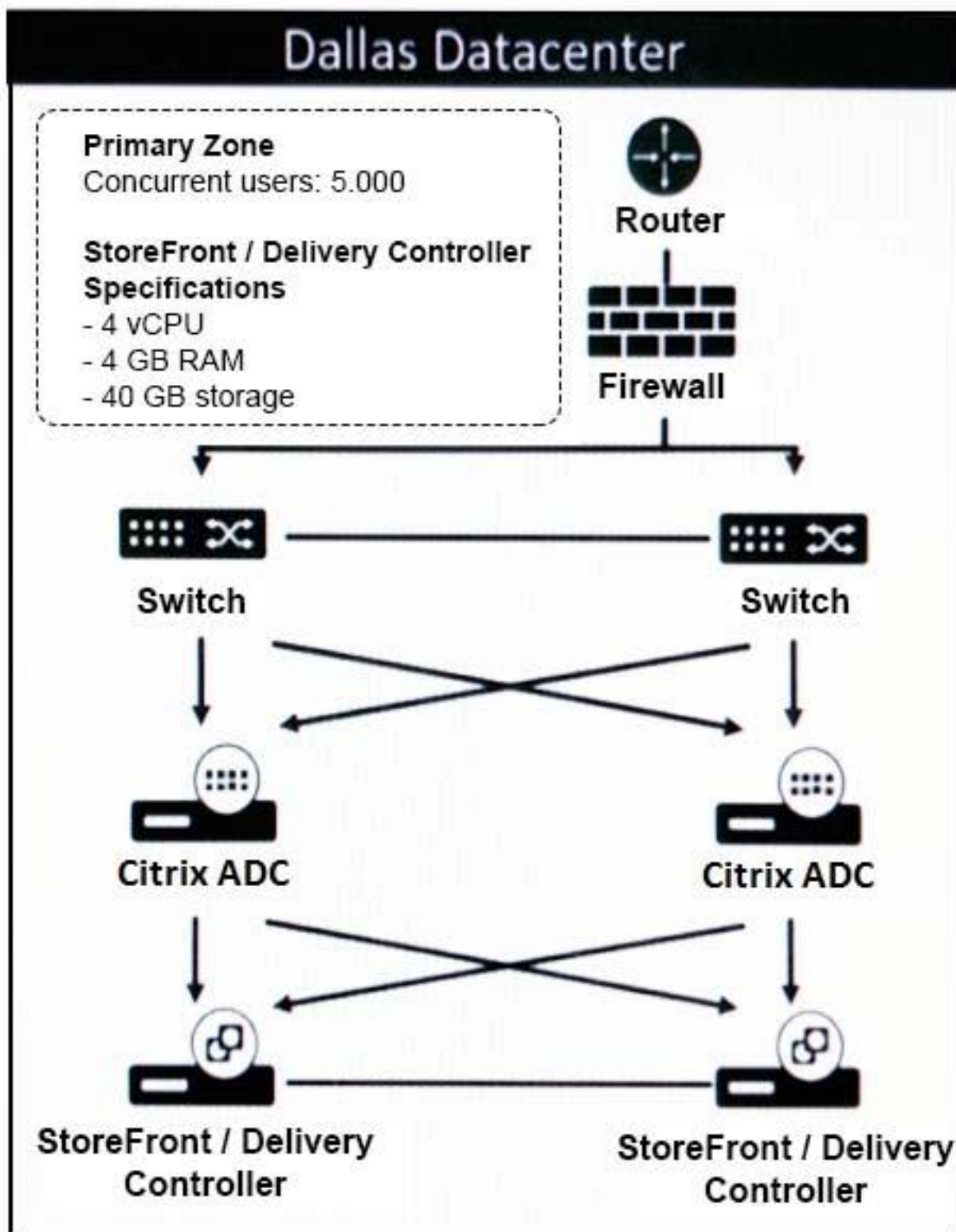
User	Scaling Priority	VDA Type	Workload Weight	CPU Overcommit	Virtual CPUs per VM	VMs per Host	Users per VM
User Group 1	Scalability	Desktop	Heavy	6:1	4	30	1
User Group 2	User Experience	Server	Medium	1.5:1	16	18	20
User Group 3	Scalability	Desktop	Medium	6:1	2	40	1
User Group 4	Scalability	Server	Medium	1.5:1	6	27	20

At a minimum, the architect should scale the hardware used to host the virtual machine (VMs) for User Group 1 to \_\_\_\_\_ GB of RAM. (Choose the correct option to complete the sentence.)

- A. 256
- B. 512
- C. 64
- D. 128
- E. 384

**Answer:** A

**NO.15** Scenario: A Citrix Architect needs to design a single-Site XenApp and XenDesktop environment. Through earlier design discussions, the architect has determined the environment details listed in the Exhibit.



What should the architect change in the current environment to align with Citrix leading practices?

- A. A Delivery Controller should be removed from the Site.
- B. The Delivery Controller and StoreFront roles should NOT be co-located on the same server.
- C. The existing Delivery Controllers should be allocated with an additional 2 GB of RAM each.
- D. A Delivery Controller should be added to the Site.
- E. The existing Delivery Controllers should be allocated with an additional CPU each.

**Answer:** C

Explanation:

StoreFront 3.12

## System requirements

When planning your installation, Citrix recommends that you allow at least an additional 2 GB of RAM for StoreFront over and above the requirements of any other products installed on the server. The subscription store service requires a minimum of 5 MB disk space, plus approximately 8 MB for every 1000 application subscriptions. All other hardware specifications must meet the minimum requirements for the installed operating system.

<https://docs.citrix.com/en-us/storefront/downloads/storefront-3-12.pdf>

Component	Specification
Processor	4 vCPU
Memory	4GB RAM
Network	Bonded virtual NIC
Host Storage	40GB shared storage
Operating System	Windows Server 2012R2
XenDesktop	7

Table 42: Delivery Controller Specification for 5K Sessions

The following formula can be used to calculate the number of Delivery Controllers required for a Citrix site.

$$\text{Number of Delivery Controllers} = \frac{\text{Number of Active Sessions per Site}}{5,000} + 1$$

<https://docs.citrix.com/en-us/xenapp-and-xendesktop/7-15-ltsr/downloads/handbook-715-ltsr.pdf>

**NO.16** Scenario: A Citrix Architect deployed a new Citrix Virtual Desktops environment in Citrix Cloud. The environment is accessed exclusively by users in a location where Citrix Cloud does NOT have a local point of presence (POP). The Corporate Security team advises that a new industry regulation requires that all user HDX-session communications remain within the country. In addition, users have requested file-type-association functionality to launch published applications from within their virtual desktops.

What should the architect configure for this deployment?

- A. On-premises Citrix Gateway with on-premises StoreFront
- B. Citrix Cloud-hosted Gateway Service with Citrix Cloud-hosted Workspace
- C. On-premises Citrix Gateway with Citrix Cloud-hosted Workspace
- D. Citrix Cloud-hosted Gateway Service with on-premises StoreFront

**Answer:** C

**NO.17** Scenario: A Citrix Architect is investigating a recent change that is impacting system performance of the Provisioning Services farm. However, no actions have been recorded in the Audit

Trail.

Which two processes are preventing Provisioning Services auditing from recording the actions? (Choose two.)

- A. The change was completed through the SCCM integration.
- B. A task was performed using Provisioning Services PowerShell interface.
- C. A task was performed using Management Command Line Interface (MCLI).
- D. The Provisioning Services database was unavailable.
- E. Auditing is disabled by default.

**Answer:** DE

Explanation:

<https://docs.citrix.com/en-us/provisioning/current-release/troubleshooting/auditing.html> Citrix Provisioning provides an auditing tool that records configuration actions on components within the provisioning farm. The auditing tool saves this information to the provisioning database.

To enable auditing

In the Citrix Provisioning console tree, right-click on the farm, then select the Farm Properties menu option.

On the Options tab, under Auditing, check the Enable auditing check box.

**NO.18** Which access component will support anonymous access within a new environment?

- A. Citrix StoreFront
- B. Citrix Gateway Service
- C. Citrix ADC
- D. Citrix Workspace

**Answer:** A

Explanation:

<https://docs.citrix.com/en-us/xenapp-and-xendesktop/7-6-long-term-service-release/xad-build-new-environment/xad-dg-create/xad-dg-manage-users.html>

**NO.19** What are three things a Citrix Architect should when using thin clones with Machine Creation Services (MCS)? (Choose three.)

- A. Storage and virtual machine (VM) migration may be more complex when compared to full clones.
- B. Provisioning speed is slower when compared to full clones.
- C. Storage fragmentation may occur over time.
- D. Storage space should be closely monitored.
- E. Higher storage space is required when compared to full clones.

**Answer:** CDE

**NO.20** Scenario: While assessing the User Layer, a Citrix Architect finds that most of the internal users connect using corporate-owned laptops, desktop devices, and thin clients. Many of these laptops and desktop devices are running Windows 10, while the remainder of the machines are running Windows 7 and are in the process of being migrated to Windows 10. Some users also connect using personal devices which have Receiver Desktop Lock installed.

Currently, Citrix Receiver is manually installed on any endpoint device added to the company. All these devices use Citrix Receiver version 4.8 and above. The IT team is planning to automate a

process to update all the devices with the latest version of Citrix Receiver and to automate another process for automatic installation of Citrix Receiver without incurring extra costs and maintenance. During the initial testing of the Citrix Receiver Auto-Update feature, the architect observed that the Citrix Receiver Auto-Update feature does NOT work on some of the machines.

Which two reasons could be causing this issue? (Choose two.)

- A.** Citrix Receiver Auto-Update is disabled on machines where Receiver Desktop Lock is installed.
- B.** The Citrix receiver Auto-Update feature needs to be configured before Receiver Desktop Lock is configured.
- C.** The user does NOT have local administrative permission on the endpoint device.
- D.** The local Advanced Preferences within Citrix Receiver were incorrectly configured.

**Answer:** AC

Explanation:

<https://support.citrix.com/article/CTX226779>

Check for the requirements below as part of troubleshooting Citrix Receiver Updates.

If you have configured an SSL intercepting outbound proxy, you must add an exception to the Receiver Citrix Receiver Updates Signature service (<https://citrixupdates.cloud.com>) and the download location (<https://downloadplugins.citrix.com>).

If the Receiver for Windows session is running on a VDA, Citrix Receiver Updates is disabled. 3. If the Receiver for Windows is running on an end-point where the Desktop Lock component is enabled, Citrix Receiver Updates is disabled.

In Citrix Receiver for Windows Version 4.8, Citrix Receiver Updates was not functioning in a proxy setup.

This issue has been addressed in Version 4.9.

The Citrix Receiver Updates functionality is not available when a user with administrator-level privileges has installed Citrix Receiver for Windows, and an individual user(non-admin) is accessing Citrix Receiver for Windows.

**NO.21** Scenario: A Citrix Architect needs to design a new XenApp and XenDesktop environment. The customer previously installed all applications locally on managed laptops and desktops but is willing to evaluate other application delivery methods as part of the new deployment. The environment will be standardized on Windows 10 and Windows Server 2016 for the Virtual Delivery Agent (VDA) machines.

As part of an application analysis performed earlier in the project, the information in the Exhibit was collected regarding one of the required applications.

Click the Exhibit button to view the information.

Category	Detail
Application Name	Workspace PDF
Description	Application that can be used to view, create, edit, and publish PDFs
Usage	The application is used throughout the organization.
OS Compatibility	The application is compatible with the target operating systems.
Special Considerations	The application uses a Windows service to print PDFs and another to convert PDF files to and from other file formats.  The application includes shell extensions that are integral to the user workflow.

Additionally, the customer has the following objectives:

Minimize the time required to perform application patches and updates

- Each department should have a dedicated image that is NOT accessible to other departments

- Each departmental image should only include the applications required by that department

How should the architect install the application?

**A.** Directly on endpoint devices and included in a virtual desktop session using the Local App Access feature

**B.** On an Application Layer using Citrix App Layering, be included in a layered image, and accessed through a virtual desktop session

**C.** Directly on a Server OS VDA machine and accessed from the endpoint as a published application

**D.** Stream it to a VDA machine using Microsoft App-V and accessed through a virtual desktop session

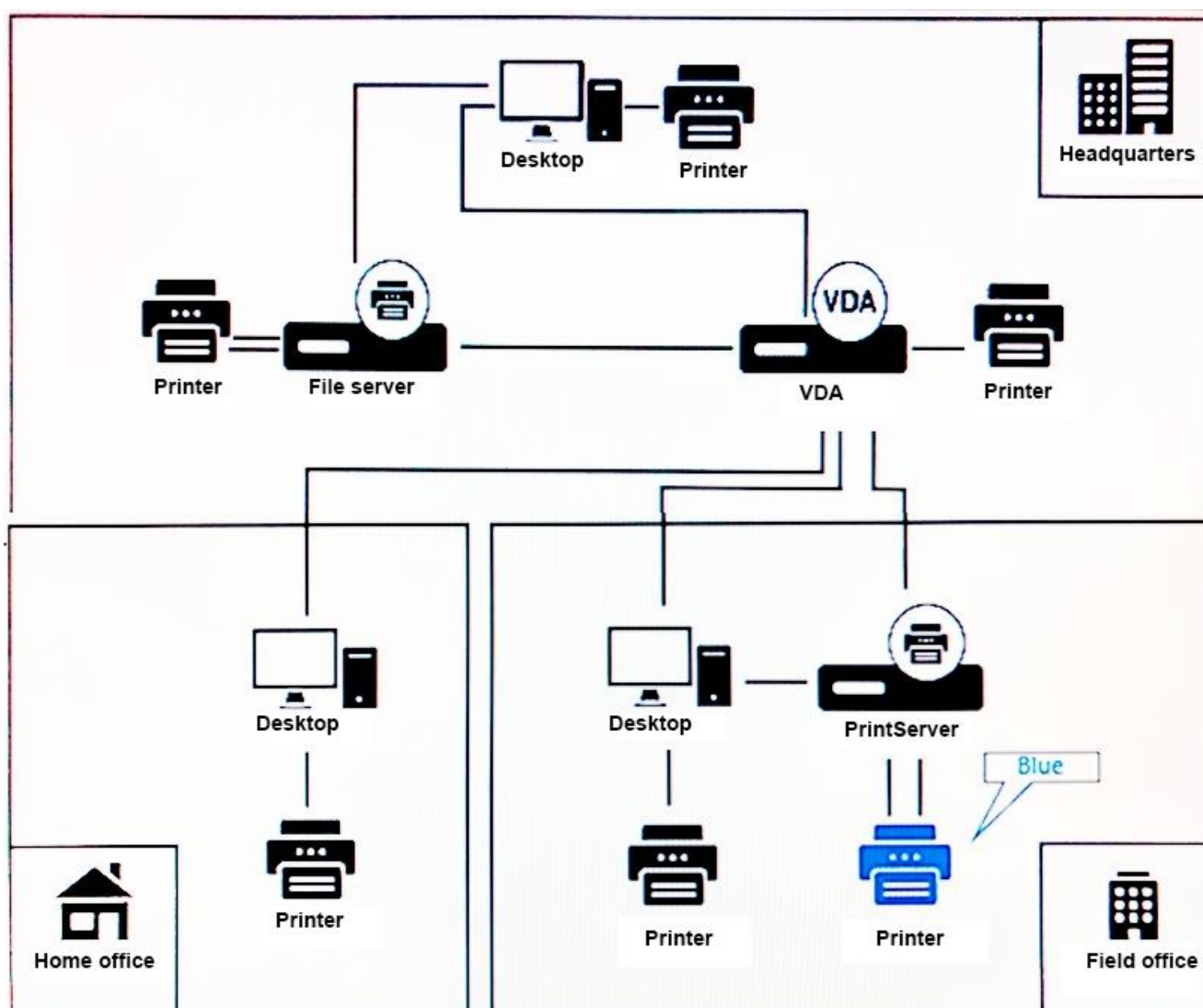
**E.** On an Application Layer using Citrix App Layering then be presented to assigned users as an Elastic Layer during a virtual desktop session

**Answer:** C

Explanation:

Note: Virtual Apps will provide more users per server so less servers while Virtual Desktops will be 1 user per VD so more servers to sustain the same amount of apps instance.

**NO.22** Scenario: A Citrix Architect needs to design a new XenApp and XenDesktop environment. The customer has a number of small field sales offices, each connected to the main datacenter located in the headquarters building that has a 1.5 Mbps MPLS WAN link. Each field sales office has between 5 and 10 concurrent users connecting to the Citrix environment hosted in the main datacenter. Click the Exhibit button to view additional details about the environment.



While setting up a new field office, the architect discovers that the printer marked in blue in the Exhibit is showing up in a user's session without the architect having configured any policies or printer mapping for this user or printer.

Which functionality and printing pathway is making the printer available to the user?

- A. Citrix Universal Print Server, Network printing pathway
- B. Session printer, Network printing pathway
- C. Citrix Universal Print Server, Client printing pathway
- D. Session printer, Client printing pathway
- E. Auto-created Client printer, Client printing pathway
- F. Auto-created Client printer, Network printing pathway

**Answer:** E

Explanation:

<https://support.citrix.com/article/CTX227534>

Citrix Printing Policy	Configuration	Results
Client printer redirection	Allowed	Client printers can be mapped to the Citrix session
Auto-create client printers	Auto-erate all client printers	All client printers will be mapped to the Citrix session
Printer assignments	Not configured	No network printers assigned through Citrix policy
Automatic installation of in-box printer drivers	Enabled	Required printer drivers will be installed automatically when printers are created
Universal print driver usage	Use universal printing only if requested driver is unavailable	If the standard model specific drivers are not already installed, the system will attempt to create the printers using the Citrix UPD
Universal Print Server enable	Disabled	The Citrix UPS will not be used
Auto-create generic universal printer	Disabled	The Citrix Universal Printer will not be created in the user session
Direct connections to print servers	Enabled	Print jobs are sent from the VDA to the print server, when accessible, directly via the network printing path

#### Experience from the Field

A print media company leverages Thin Clients and Windows-based workstations at the company headquarters. Network based printers are placed throughout the building (one per floor). Windows print servers reside in the datacenter and manage the network printers. XenDesktop and XenApp servers also reside in the datacenter.

A regional office has numerous Windows, Linux and Mac endpoints with network attached printers.

A remote branch office has a few Windows workstations with locally attached printers.

Three different print strategies are applied:

#### Headquarters

A Citrix Universal Print Server is used for printing within the XenApp and XenDesktop session. Native print drivers are not required on the Windows based workstations. A session printer policy is configured per floor which connects the floor printer as the default printer. The policies are filtered based on the subnet of the thin client for proximity printing.

Quality of Service (QoS) policies are implemented. Inbound and outbound network traffic on ports TCP 1494 and TCP 2598 are prioritized over all other network traffic. This will prevent HDX user sessions from being impacted by large print jobs.

#### Regional Office

A Universal Print Server is deployed within the regional office. The print job uses the Universal Print Driver and is compressed and delivered from the user's session to the Universal Print Server, across the WAN. The job is then sent to the network-attached printer in the office.

#### Branch Office

Since all branch users work on Windows based workstations, auto-created client printers in conjunction with the Citrix Universal Printer Driver are used. Since the print job is delivered over ICA, the print data is compressed which saves bandwidth. The Citrix Universal Printer Driver ensures all printers connected to the client can be used within the XenApp or XenDesktop session without concern of the printer model used.

**NO.23** Scenario: A Citrix Architect is designing an environment for a large company. The company has identified the following user groups and requirements.

**Product Managers** - Typically, they work from inside the company network but are able to work from home. They need to use a variety of standard productivity and web-based SaaS applications.

**Field Sales Engineers** - They frequently work with mobile devices and tend to access the environment externally. They need access to sales tools and the front-end of the customer database.

**Web Developers** - Internal and remote workers who use specialized hardware with a graphics card to handle resource-intensive applications.

Which FlexCast model should the architect assign to Field Sales Engineers?

- A. Published Apps
- B. Hosted Applications
- C. Hosted VDI
- D. Published Desktops

**Answer: C**

Explanation:

<https://blog.citrix24.com/xendesktop-7-flexcast-models/>

FlexCast Model		User Installed Apps	Image Delivery Technology	Virtual / Physical	Access	Desktop to User Ratio
Hosted shared: Non-Persistent		No	MCS / PVS	Physical / Virtual	HDX	1 : Many
Hosted VDI:	Random / Non-Persistent	No	MCS / PVS	Virtual	HDX	1 : Many
	Static / Non-Persistent	No	MCS / PVS	Virtual	HDX	1 : 1
	Static / Persistent	Yes	MCS / PVS	Virtual	HDX	1 : 1
Remote PC		Yes	Installed	Physical	HDX	1 : 1
Streamed VHD		No	PVS	Physical	Local	1 : 1
Local VM		Yes	XC	Virtual (XenClient)	Local	1 : 1
On demand apps		No	MCS / PVS	Physical / Virtual	HDX	1 : Many

**NO.24** Scenario: A Citrix Architect is designing a new Citrix Virtual Apps and Desktops environment. The customer previously installed all applications locally on managed laptops and desktops but is willing to evaluate other application delivery methods as part of the new deployment. The environment will be standardized on Windows 10 and Windows Server 2016 for the Virtual Delivery Agent (VDA) machines.

As part of an application analysis performed earlier in the project, the information in the exhibit was collected regarding 1 of the required applications.

Click the Exhibit button to view the information.

Category	Detail
Application Name	Workspace Lidar Analyzer
Description	The application processes and generates reports using large amounts of imaging data collected from a Lidar scanner attached to the user endpoint.
Usage	The application is used by 5 technicians in the Research and Development (R&D) department.
OS Compatibility	The application is compatible with the target operating systems.
Special Considerations	Technicians must frequently reference this application's data when making log entries in a different application that, for security reasons, is only available through a virtual desktop session.  Technicians must occasionally conduct outdoor field experiments with the Lidar scanner, and must connect to the environment using a wireless mobile connection.

The customer has the additional objective of minimizing the amount of network traffic in the environment, particularly on WAN or metered links.

How should the architect deploy the application?

- A.** Stream it to a VDA machine using Microsoft App-V, and access it through a virtual desktop session
- B.** Install it directly on a VDA machine image, and access it through a virtual desktop session

- C. Install it directly on a Server OS VDA machine, and access it from the endpoint as a published application
- D. Install it directly on endpoint devices, and include it in a virtual desktop session using the Local App Access feature
- E. Install it in the Application Layer using Citrix App Layering

**Answer:** B